

o w n e r s
m a n u a l

S8.3
S10.3
S12.3



IMPORTANT SAFETY INSTRUCTIONS – READ CAREFULLY!

Caution: To prevent the risk of electrical shock, match wide blades of plug to wide slot, fully insert.

Read Instructions: All safety and operating instructions should be read before the product is operated.

Retain instructions: Safety and operating instructions should be retained for future reference.

Heed Warnings: All warnings on the product & operation instructions should be adhered to.

Follow Instructions: All operating and use instructions should be followed.

Cleaning: Unplug the product from the wall before cleaning. Do not use aerosol or liquid cleaners, just a damp cloth.

Attachments: Do not use attachments not recommended by the product manufacturer as they may cause hazards.

Water and moisture: Do not use this product near water.

Ventilation: Openings in the cabinet are provided for ventilation and to ensure reliable operation and protect it from overheating so they must not be blocked or covered by placing the product on a bed, sofa or other similar surface. This product should not be placed in a built-in installation such as a bookcase or rack unless proper ventilation is provided or the manufacturer's instructions have been adhered to.

Power Sources: This product should be operated only from the type of power source indicated on the marking label. If you are not sure of the type of power supply in your home, call your local power company.

Grounding or Polarization: This product may be equipped with a polarized alternating current line plug. This plug will fit the power outlet in only one way as a safety feature. If you are unable to insert the plug, try reversing it. If the plug should still fail to fit, contact your electrician to replace your outlet. Do not defeat the safety purpose of the plug.

Power Cord Protection: Power supply cords should be routed so that they are not likely to be walked on or pinched by items placed upon or against them, paying particular attention to cords at plugs, convenience receptacles and the point where they exit from the product.

Overloading: Do not overload wall outlets or extension cords, as this can result in a risk of electrical shock.

Object and Liquid Entry: Never push objects of any kind into this product through openings as they may touch dangerous voltage points or short out parts that can result in a fire or electrical shock. Never spill liquid of any kind on the product.

Servicing: Do not attempt to service this product yourself as openings or removing covers may expose you to dangerous voltage or other hazards. Refer all servicing to qualified personnel.

Heat: This product should be situated away from heat sources such as radiators, heat registers, stoves, or other appliances (including amplifiers) that produce heat.

Non-Use Periods: The power cord of the product should be unplugged from the outlet when left unused for a long period of time.

Damage Requiring Service: The product should be serviced by qualified personnel when:

- The power supply cord or the plug has been damaged; or
- Objects have fallen, or liquid has been spilled into the appliance; or
- The product has been exposed to rain; or
- The appliance does not appear to operate normally or exhibits a marked change in performance; or
- Product has been dropped, or the enclosure damaged.
- If the product does not operate normally by following the operating instructions.



The lightning flash with arrowhead symbol. Within an equilateral triangle is intended to alert the user to the presence of uninsulated "dangerous voltage" within the products enclosure that may be of sufficient magnitude to constitute a risk of electric shock to persons.



The exclamation point within an equilateral triangle is intended to alert the user to the presence of important operating and maintenance (servicing) instructions in the literature accompanying the appliance.

INTRODUCTION

Congratulations on your purchase of **ENERGY**® speakers! Proprietary technology and high quality manufacturing will allow you to enjoy the most natural and accurate music reproduction for many years. The advice offered in this manual is aimed at helping you maximize and maintain peak performance, and therefore, your listening satisfaction. Please take the time to read all of the instructions contained in this manual to make certain your system is properly installed and functioning correctly.

BREAK-IN PERIOD

We strongly advise that you resist the temptation to play the **ENERGY**® speakers to their full capabilities or experiment with critical placement and listening until they have been properly broken in. This process should last approximately 50 hours. This can be easily be done by putting your compact disc player on Repeat mode, while playing a CD with a wide dynamic range at normal listening levels.

COMPANY BACKGROUND

ENERGY® speakers are the result of extensive research into accurate sonic reproduction and represent the leading edge in speaker design and performance. The finest components and cabinet materials combined with sophisticated manufacturing and quality control procedures ensure many years of exceptional performance and listening pleasure.

CABINET CARE

Great care and craftsmanship has gone into the construction and finish of the cabinet. Periodically use a soft, dry cloth to remove dust or fingerprints. Do not use paper towels or other abrasive materials as it may damage the finish.

NOTE: Please retain the carton and packing material for your Energy products, to protect them in the event of a move or if they need to be shipped to a service center. Product received damaged by a service center that has been shipped by the end user in other than the original packaging will be repaired, refurbished and properly packaged for return shipment, at the end user's expense.

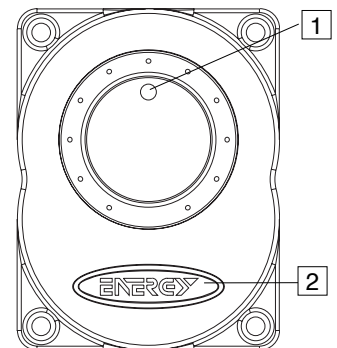
SUBWOOFER PLACEMENT

The placement of your new **ENERGY**® subwoofer is critical to its performance. The three most common locations include: in the corner of the room (which can result in a boomy or exaggerated low frequency response), placement along one wall but out of the corner (moderate bass performance with increased fidelity over corner placement), or alongside a front speaker (creating a better blend with the front speaker, but sacrificing overall volume). Experimentation with subwoofer placement is highly encouraged, as slight adjustments can create large benefits in sound reproduction. To further test subwoofer placement, install the subwoofer temporarily in your main listening position and while playing a familiar piece of music, walk around the listening room until you find the best sounding position. This is a possible location for the subwoofer to be placed.

TERMINOLOGY AND CONTROLS

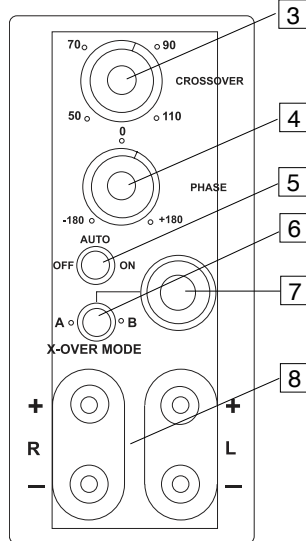
Front Panel

- Subwoofer Volume Control** - This knob can be adjusted to control the level of output from your subwoofer. The level chosen should allow the subwoofer to blend its output with that of the rest of your audio system.
- Status Indicator** - The **ENERGY**® logo found on the front panel will illuminate in blue when the subwoofer is functioning. If the unit is in Auto mode and is not receiving a signal, the light will remain off.



Rear Panel

- Crossover Control** – This control allows for the adjustment of the low-pass filter. Adjustments can infinitely be made from 50Hz to 110Hz. This will determine the highest frequency that the subwoofer will play.
- Phase Control** – This allows for the infinite adjustment of the phase of the subwoofer, in relation to the speakers used in your system, from -180 degrees to +180 degrees.
- Power Mode** – This switch can be set to either On, Off or Auto. If the switch is in the Off position, the subwoofer will not power up. If the switch is in the On position, it will constantly remain on. If the switch is set to the Auto position, when a signal is present the subwoofer will turn on and will automatically turn off several minutes after a signal is no longer present.
- X-Over Mode** – This switch allows for the selection of either X-Over Mode (A) Crossover Activated or (B) Crossover Bypassed. (Please see the connections section for suggestions on which mode is appropriate for your installation.)
- Sub In** – This input is an RCA type mono input.
- High-Level Input** – These are 5-way binding post type speaker connectors. The High-Level inputs are designed to be used on receivers or amplifiers that do not incorporate any RCA type subwoofer outputs. If your receiver is equipped with an RCA type subwoofer output, these speaker level inputs should not be utilized.



CONNECTING YOUR ENERGY SUBWOOFER

CAUTION: All power should be turned off to your system before any connections are made. Careful attention should be taken to ensure that all electronic components are not connected to an AC source. Not doing so could result in potential damage to the system.

There are two mutually exclusive methods to connect your subwoofer to your receiver.

Method 1 – RCA – For Home Theater or LFE Applications

- On the rear of the receiver there should be a single RCA type jack marked "Subwoofer Out". Connect a single RCA cable from that jack to the RCA Sub In (#7) on the rear of the subwoofer. A standard male to male RCA cable is needed.
- After connecting the single low level Sub In (#7) connection, plug your ENERGY® subwoofer into an AC outlet. Do not use the AC outlet on the rear of your receiver.
- Select either the X-Over Mode (A) or (B) (#6). The X-Over Mode (A) "Crossover Activated" switch position should be used when connecting your ENERGY® subwoofer to a receiver without bass management or when you wish to manually control the crossover and volume settings (such as in a music system). The X-Over Mode (B) "Crossover Bypassed" switch position should be used when connecting to a receiver with bass management (such as in a digital surround sound movie system). This connection defeats the crossover feature on the ENERGY® subwoofer, allowing this control to be handled by the receiver. Adjusting the front panel Volume Control (#1) will still be required.
- Ensure that the supplied vibration dampeners are installed in the high-level speaker inputs, as this ensures that the inputs will not vibrate audibly.
- See Final System Adjustments, below.

Method 2 – Speaker Level – For Music Applications

- The other way to connect your subwoofer to your receiver is using a High-Level (#8) (speaker wire) connection, by simply connecting the speaker wires from the Front Left and Right Speaker Outputs on your receiver to the Left and Right Inputs on the rear of the subwoofer (#8). It is imperative that speaker polarities

be maintained, one must connect the positive and negative wires to the appropriate positive and negative terminals. Failure to do so will result in an out of phase connection, severely limiting the amount of bass in your system.

- After connecting the High-Level (#8) (speaker wire) between your receiver and subwoofer, ensure no fray wires are touching, as this could cause a short circuit and damage your electronics. Plug your ENERGY® subwoofer into an AC outlet. Do not use the AC outlet on the rear of your receiver.
- See Final System Adjustments, below.

Do NOT connect both RCA and High-Level connections simultaneously, as this will damage your ENERGY subwoofer.

FINAL SYSTEM ADJUSTMENTS

- After having turned on the main power switch and having broken-in the speaker, select the correct position for the Power Mode switch (#5), either On or Auto depending on your system. The Auto selection will leave the unit in a self-sensing mode, such that should the unit sense an audio signal it will turn itself on and then shut down after several minutes without signal, while in the On position the subwoofer always remains on. Should the system not be used for an extensive period of time, it is recommended that the subwoofer be unplugged from the AC outlet.
- Adjust the Volume Control (#1) on the front panel of your ENERGY® subwoofer so that the volume of your subwoofer matches the overall system volume. This ensures a smooth transition between the low and high frequencies of your system.
- Adjust the Crossover Setting (#3) on your ENERGY® Speakers subwoofer so that the frequency range of the subwoofer blends well with that of the front speakers (For use with all settings, except when in X-Over Mode (B)). Setting the crossover too low will create a gap between the frequency response of the front speakers and that of the subwoofer, while setting the crossover frequency too high will create a doubling of certain frequencies, making the music sound boomy. When using small satellite speakers, the appropriate crossover frequency should be from 90Hz to 110Hz, for the bookshelf speakers 70Hz to 90Hz and for the large crossover floorstanding speakers 50Hz to 70Hz.
- Adjust the Phase control (#4) so that the subwoofer integrates fully with the rest of your audio system. This control is infinitely adjustable and ensuring that the subwoofer operates in phase with the rest of the system is critical, as an out of phase subwoofer will either sound like it is lacking in bass performance or that its timing is off. This setting will be determined by your listening position, the characteristics of your listening room and its interaction with your ENERGY® subwoofer. An out of phase speaker means that the speaker cone is moving inwards when it should be moving outwards, like the other speakers in your system, causing cancellations of certain frequencies. By adjusting the phase control, one can ensure that all speakers move in the proper direction, at the same time.
- Steps 2,3 and 4 might require repeating in order to fine tune your system. Ensuring the proper blending between the speakers and the subwoofer is critical to the performance of your system, as a whole.

WARRANTY OUTSIDE OF THE UNITED STATES

Outside of North America, the warranty may be changed to comply with local regulations. Ask your local ENERGY® dealer for details of the LIMITED WARRANTY applicable in your country.

WARRANTY FOR THE UNITED STATES AND CANADA

Please see the warranty document on the back cover

"ENERGY", the "ENERGY" logo, are trademarks of Audio Products International Corp.

IMPORTANTES CONSIGNES DE SÉCURITÉ – LIRE ATTENTIVEMENT!

AVANT-PROPOS

Nous vous félicitons d'avoir choisi les enceintes acoustiques Energy ! La technologie exclusive à Energy et la haute qualité de ses procédés de fabrication vous permettront de tirer plaisir, de longues années durant, d'une restitution musicale aussi naturelle que précise.

Les conseils donnés dans ce manuel vous aideront à obtenir et à maintenir un rendement optimal et, par conséquent, une entière satisfaction. Veuillez donc lire attentivement toutes les instructions pour vous assurer que vos enceintes sont installées de la manière appropriée et qu'elles fonctionnent correctement.

PÉRIODE DE RODAGE

Nous vous recommandons fortement de résister à la tentation de faire fonctionner immédiatement les enceintes Energy à leur pleine puissance. N'essayez pas divers positionnements et ne procédez pas à des tests d'écoute avant que les enceintes ne soient bien rodées. Le processus est tout simple : mettez votre lecteur de disques compacts en mode répétition et faites jouer un CD avec une dynamique étendue, à un niveau d'écoute moyen, durant une période d'environ 50 heures.

ENERGY: UN BREF HISTORIQUE

Les enceintes ENERGY sont le résultat des recherches poussées dans le domaine de la restitution sonore et représentent la fine pointe en matière de conception et de rendement des haut-parleurs. Les composants et les matériaux de la meilleure qualité, de pair avec les techniques de fabrication et de contrôle de qualité les plus évoluées qui soient, sont garants de longues années de rendement exceptionnelle et de plaisir musical.

ENTRETIEN DU COFFRET

Toute une somme d'expertise et de soins a présidé à la construction et à la finition des coffrets de vos enceintes. Essayez-les régulièrement avec un chiffon doux et sec pour éliminer la poussière et les marques de doigts. Évitez les essuie-tout en papier et les produits abrasifs – ils pourraient abîmer le fini.

NOTA : Conservez le carton et les matières d'emballage en vue de protéger les enceintes dans l'éventualité où il deviendrait nécessaire de les expédier à un centre de service pour fins de réparation. Tout appareil qui est expédié par l'utilisateur dans un emballage autre que celui d'origine et qui serait reçu endommagé, sera réparé, remis en état et emballé pour expédition aux frais de l'utilisateur.

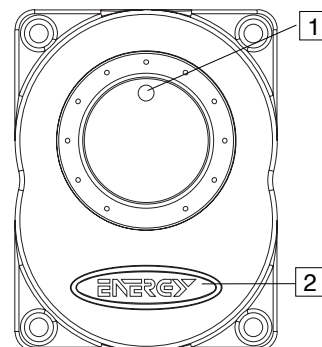
POSITIONNEMENT DE L'ENCEINTE D'EXTRÊMES-GRAVES

Le positionnement de l'enceinte d'extrêmes-graves est d'importance critique pour son rendement acoustique. Les trois positions les plus communes sont : dans un coin (ce qui peut conférer un rendu "caverneux" et ou trop accentué), contre un mur mais loin d'un coin (ce qui confère un rendu acceptable, avec plus de fidélité que dans un coin) ou près d'un haut-parleur avant (ce qui donne un bon rendu, mais avec moins de dynamisme). Si, après l'installation, le rendu vous semble laisser à désirer, faites l'essai de divers positionnements. Aussi surprenant que cela puisse paraître, un déplacement de quelques pouces peut considérablement modifier le rendu sonore en basse fréquence. Pour tester le positionnement de l'enceinte d'extrêmes-graves, installez temporairement l'enceinte dans votre position d'écoute et en écoutant à une pièce de musique, faites le tour de la pièce jusqu'à ce que vous ayez repéré la position offrant le meilleur rendu sonore.

TERMINOLOGIE ET COMMANDES

Panneau avant

1. Commande de volume des extrêmes-graves - Permet d'ajuster la puissance de sortie de l'amplificateur intégré à l'enceinte.
2. Voyant d'état – Le voyant Energy s'éclaire en bleu lorsque l'enceinte traite et reproduit un signal. Si l'enceinte est dans le mode Auto et qu'aucun signal ne lui est transmis, le voyant demeure éteint.



Mise en garde : Afin de prévenir le risque de choc électrique, insérer à fond la lame la plus large de la fiche dans la fente la plus large de la prise.

Lire les instructions : Il est fortement recommandé de lire toutes les consignes de sécurité et la notice d'utilisation avant de faire fonctionner l'appareil.

Conserver les instructions : Conserver les consignes de sécurité et la notice d'utilisation pour consultation ultérieure.

Observer les mises en garde : Observer toutes les mises en garde apposées sur l'appareil et contenues dans la notice d'utilisation.

Suivre les instructions : Se conformer à toutes les instructions d'installation et d'utilisation.

Nettoyage : Débrancher le cordon d'alimentation de l'appareil avant de le nettoyer. Ne jamais utiliser de produits liquides à nettoyer ni de nettoyeurs en aérosol. Nettoyer avec un chiffon humide.

Accessoires : Afin de prévenir les dommages, n'utiliser que les accessoires recommandés par le fabricant.

Eau et humidité : Ne pas utiliser cet appareil dans un endroit où il pourrait devenir mouillé (près d'une baignoire, d'un évier, d'un lavabo ou d'une piscine, ou encore dans un sous-sol humide).

Aération : Ne pas obstruer ou recouvrir les fentes et les ouvertures de l'enceinte ; elles assurent l'aération et le bon fonctionnement de l'appareil et le protègent contre la surchauffe. Ne pas placer l'appareil sur un lit, un canapé, un tapis ou une surface similaire. Ne pas placer l'appareil dans une installation fermée telle une bibliothèque ou un meuble stéréo à moins qu'une aération adéquate soit assurée ou que les instructions du fabricant aient été observées.

Alimentation : Ne faire fonctionner cet appareil que sur une source d'alimentation conforme au type indiqué sur l'étiquette de marquage.

En cas de doute, consulter le détaillant ou la compagnie d'électricité.

Mise à la terre ou polarisation : Le cordon d'alimentation de l'appareil peut être muni d'une fiche polarisée (fiche avec lames de largeur différente). Une telle fiche ne peut être introduite dans la prise que dans un seul sens. Il s'agit là d'une importante caractéristique de sécurité. Si la fiche ne peut être insérée à fond dans la prise, l'inverser et essayer à nouveau. Si cela ne règle pas le problème, communiquer avec un électricien pour faire remplacer la prise. Ne PAS faire échec aux fins de protection de la fiche polarisée.

Protection du cordon d'alimentation : Les cordons d'alimentation devraient être placés de manière à prévenir tout risque d'écrasement ou de pincement par des objets. Apporter une attention toute particulière aux points de connexion et de branchement.

Surcharge : Afin de prévenir tout risque de décharges électriques, ne pas surcharger les prises de courant ou les cordons prolongateurs.

Objets étrangers et déversement de liquide : Afin de prévenir tout risque d'incendie ou de décharges électriques, ne jamais insérer d'objet d'aucune sorte dans l'appareil. Protéger l'appareil contre tout risque de déversement de liquide.

Réparation : Ne pas tenter de réparer l'appareil soi-même ; le fait d'ouvrir l'appareil ou d'en retirer les couvercles peut vous exposer à des risques de décharges électriques.

Confier toute réparation à un technicien qualifié.

Sources de chaleur : Ne pas placer l'appareil à proximité d'une source de chaleur telles que radiateurs, bouches d'air chaud, cuisinières ou autres, y compris des hauts-parleurs.

Période de non utilisation : Si l'appareil n'est pas été utilisé pendant une longue période, débrancher le cordon d'alimentation.

Dommages nécessitant une réparation par un technicien qualifié :

- A. La fiche ou le cordon d'alimentation de l'appareil est endommagé.
- B. Des objets sont tombés sur l'appareil, ou il a subi un déversement de liquide.
- C. L'appareil a été exposé à la pluie.
- D. L'appareil ne semble pas fonctionner normalement, ou son rendement s'est modifié brusquement.
- E. L'appareil a été échappé, ou son coffret endommagé.
- F. Malgré la conformité aux directives d'utilisation, l'appareil ne fonctionne pas normalement.



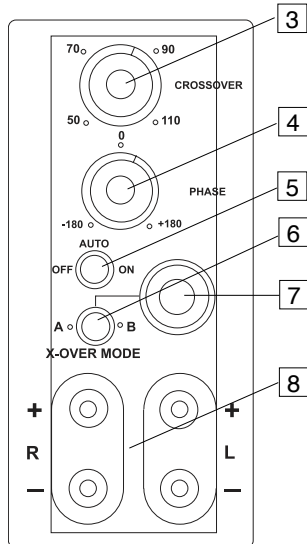
L'éclair à extrémité fléchée placé dans un triangle équilatéral est destiné à attirer l'attention de l'utilisateur sur la présence d'une « tension potentiellement dangereuse » et non isolée se trouvant dans les limites du coffret de l'appareil dont la puissance est suffisante pour constituer un risque important d'électrocution.



Le point d'exclamation placé dans un triangle équilatéral sert à attirer l'attention de l'utilisateur sur d'importantes instructions relatives au fonctionnement et à l'entretien (dépannage) dans le manuel qui accompagne l'appareil.

Panneau arrière

3. Commande du filtre passe-bas (Crossover Control) - Règle la réponse en fréquence de l'enceinte d'extrêmes-graves. Cette réponse s'étend de 50 Hz à 110 Hz pour permettre d'apparier la réponse du sous-grave à celle des autres enceintes.
4. Commande de phase (Phase Control) - Règle la réponse en phase de l'enceinte d'extrêmes-graves sur une plage allant de -180 degrés à +180 degrés.
5. Mode de puissance (Power Mode) - Ce commutateur peut être placé à « Off », « On » ou « Auto ». Si le commutateur est dans la position « Off », l'enceinte ne sera pas sous tension. Si le commutateur est dans la position « On », il elle demeurera constamment sous tension. Enfin, si le commutateur est placé dans la position « Auto », l'enceinte est mise automatiquement sous tension dès qu'un signal lui est transmis. Elle se mettra automatiquement hors tension quelques minutes après la fin de la transmission du signal.
6. Mode Filtre passe-bas (X-Over Mode) - Ce commutateur permet de choisir si le filtre passe-bas est activé (A) ou contourné (B) (voyez la section sur les raccordements pour les suggestions quant au mode le plus approprié à pour votre installation).
7. Entrée Sub (Sub In) - Entrée monaurale de type RCA
8. Entrée de niveau haut d' haut-parleurs (High-Level Input) - Connecteurs de type borne. Les entrées de niveau haut sont conçues pour les récepteurs ou amplificateurs ne possédant pas de sorties d'extrêmes-graves de type RCA. Si le récepteur utilisé est doté d'une prise de sortie d'extrêmes-graves de type RCA, vous n'aurez pas à utiliser ces bornes d'entrée.



MÉTHODE 2 – Entrées De Niveau de niveau haut– Pour applications musicales

1. Repérez les prises de sortie pour enceintes des canaux avant sur le panneau arrière du récepteur. Branchez une paire de câbles de raccordement dans ces prises et reliez-les aux prises d'entrée d'enceinte (#8). Il est d'importance critique que les polarités soient respectées, connectez les sorties positives et négatives des canaux gauche et droit aux entrées positives et négatives des canaux gauche et droit, respectivement. Si les connexions devaient être inversées - positif avec négatif et vice versa -, la réponse en basse fréquence sera considérablement affectée.
2. Pour prévenir tout risque de court-circuit, veillez à ce qu'aucun fil positif ou négatif ne se touche. Après avoir fait la connexion à la prise d'entrée « Sub In » (#7), branchez le cordon d'alimentation de l'enceinte dans une prise de courant. N'utilisez pas les prises de courant sur le panneau arrière du récepteur.
3. Reportez-vous à la section « Finalisation des réglages », ci-dessous.

Évitez d'utiliser simultanément les entrées de niveau haut et bas, cela endommagera votre enceinte d'extrêmes-graves.

FINALISATION DES RÉGLAGES AJUSTEMENTS FINALS DU SYSTÈME

1. Choisissez la position correcte pour le commutateur Mode de puissance (# 5), « On » ou « Auto » selon le type d'appareils de votre chaîne. Le choix « Auto » place l'enceinte d'extrêmes-graves dans un mode de détection automatique, qui assure qu'elle se mette en marche sur réception d'un signal pour ensuite, quelques minutes après la fin de la transmission du signal, se mettre hors marche. Dans la position « On », l'enceinte d'extrêmes-graves demeure toujours en fonction. Si la chaîne n'est pas utilisée pendant une longue période il est recommandé de sélectionner la position « Off ».
2. Ajustez la commande de volume (# 1) sur le panneau avant de votre enceinte d'extrêmes-graves Energy de sorte que le volume des extrêmes-graves soit égal à celui sur vos enceintes avant. Ceci assure une transition douce entre les basses et les hautes fréquences.
3. Ajustez la commande du filtre passe-bas (# 3) sur l'enceinte d'extrêmes-graves Energy de sorte que la gamme de fréquence se marie bien avec celle des haut-parleurs avant (recommandé pour les réglages sauf avec le mode de filtre passe-bas (B)) Si la fréquence de coupure est établie à un niveau trop bas, il y aura un écart entre la réponse en fréquence des haut-parleurs avant et celle des extrêmes-graves ; si la fréquence de coupure est trop élevée, il y aura un chevauchement de certaines fréquences, ce qui donnera un rendu caverneux.
4. Ajustez la commande de phase (# 4) de sorte que les extrêmes-graves s'intègrent harmonieusement avec les autres enceintes de votre chaîne. Cette commande est réglable à l'infini et assure que les extrêmes-graves sont en phase avec la réponse en fréquence des autres enceintes. Un déphasage des extrêmes-graves fera en sorte que le rendu dans le grave sera atténué ou semble désynchronisé. Ce réglage sera déterminé par votre position d'écoute, les caractéristiques de votre pièce d'écoute et son interaction avec l'enceinte d'extrêmes-graves Energy. Le déphasage d'un haut-parleur signifie que sa membrane se déplace vers l'intérieur quand elle devrait se déplacer vers l'extérieur, comme les autres haut-parleurs dans votre chaîne, entraînant l'annulation de certaines fréquences. En ajustant la commande de phase, on peut s'assurer que les membranes de tous les haut-parleurs se déplacent dans la direction appropriée, en même temps.

GARANTIE À L'EXTÉRIEUR DES ÉTATS-UNIS ET DU CANADA

Les garanties peuvent tomber sous le régime de législations différentes selon le pays. Pour de plus amples détails sur les conditions de la garantie limitée applicables dans votre pays, informez-vous auprès de votre revendeur local.

GARANTIE AU CANADA ET AUX ÉTATS-UNIS

Veillez vous reporter au certificat de garantie sur la quatrième de couverture.

« ENERGY » et le logo « ENERGY » sont des marques de commerce de Audio Products International Corp.

RACCORDEMENT ET UTILISATION DE VOTRE ENCEINTE D'EXTRÊMES-GRAVES ENERGY

ATTENTION : Coupez le contact sur tous les appareils de la chaîne avant de raccorder l'enceinte d'extrêmes-graves. Si vous ne prenez pas cette précaution, vous risquez d'endommager l'amplificateur ou l'enceinte. Il existe deux choix mutuellement exclusifs pour faire connecter votre enceinte d'extrêmes-graves Energy à votre récepteur.

MÉTHODE 1 – Entrées RCA – Pour cinéma maison ou applications LFE (effets en basse fréquence).

1. Le panneau arrière du récepteur devrait normalement comporter une prise simple de type RCA identifiée par la mention « Subwoofer Out » (sortie d'extrêmes-graves). Au moyen d'un câble de raccordement audio simple de type RCA, reliez cette prise de sortie à la prise d'entrée « Sub In » (#7) de l'enceinte d'extrêmes-graves.
2. Après avoir fait la connexion à la prise d'entrée « Sub In » (#7), branchez le cordon d'alimentation de l'enceinte dans une prise de courant. N'utilisez pas les prises de courant sur le panneau arrière du récepteur.
3. Choisissez le Mode de filtre passe-bas (A) ou (B) (# 6). Si vous choisissez le Mode (A) Active, reliez votre enceinte d'extrêmes-graves d'Energy à un récepteur sans gestion des basses fréquences quand vous souhaitez régler manuellement les arrangements de croisement du le filtre passe-bas et le volume (comme sur une chaîne audio). Avec le Mode (B), reliez l'enceinte d'extrêmes-graves à un récepteur avec gestion des basses fréquences (telle que sur un récepteur numérique pour cinéma maison). Ce raccordement contourne le filtre passe-bas sur l'enceinte d'extrêmes-graves Energy, permettant à cette commande d'être prise en charge par le récepteur. Le volume devra toujours être réglé au moyen de la commande sur le panneau avant (# 1)
4. Reportez-vous à la section « Finalisation des réglages », ci-dessous.

INSTRUCCIONES IMPORTANTES DE SEGURIDAD LÉANSE ATENTAMENTE

Precaución: Para prevenir el riesgo de descarga eléctrica, introduzca completamente las patas anchas del enchufe en las ranuras anchas de la toma de corriente.

Lea las instrucciones: Antes de utilizar este producto, deben leerse las instrucciones de seguridad y de funcionamiento.

Conserve las instrucciones: Conserve las instrucciones de seguridad y de funcionamiento por si necesitara consultarlas en el futuro.

Tenga en cuenta las advertencias: Deben tenerse en cuenta todas las advertencias y las instrucciones de funcionamiento.

Siga las instrucciones: Deben seguirse todas las instrucciones de funcionamiento y de utilización.

Limpieza: Antes de limpiar el aparato, desenchúfelo. No utilice aerosoles ni líquidos limpiadores. Basta con un trapo húmedo.

Accesorios: Para evitar peligros, no emplee accesorios que no aconseje el fabricante de este producto.

Agua y humedad: No emplee este producto cerca del agua.

Ventilación: La caja del altavoz tiene aberturas para ventilación y para garantizar un funcionamiento fiable, y así mismo, para impedir el recalentamiento del equipo. Por ello no deben ser bloqueadas ni tapadas si se pone este producto en una cama, un sofá o otra superficie similar. No se debe colocar este producto en un lugar empotrado, como estantes para libros o anaqueles, a menos que exista la ventilación adecuada o que se sigan las instrucciones del fabricante.

Fuentes de alimentación: Este producto debe funcionar sólo con la fuente de alimentación que se indica en la etiqueta. Si no está seguro del tipo de corriente que hay en su casa, infórmese llamando a la compañía local de suministro eléctrico.

Conexión a tierra o polarización: Este producto viene equipado con un enchufe macho polarizado de línea de corriente alterna. Como medida de seguridad, este enchufe sólo puede entrar de una manera en la toma de corriente. Si no puede introducirlo, gírelo. Si aún así no consigue introducirlo, póngase en contacto con un electricista para sustituir la toma de corriente. No desaproveche las funciones de seguridad del enchufe.

Protección de los cables de alimentación: Los cables de alimentación deben colocarse de manera que no corran el riesgo de que se pisen o de que queden presionados por otros elementos situados encima o al lado. Debe prestarse especial atención a los cables de los enchufes, a las tomas de corriente y a los puntos en que los cables salen del altavoz.

Sobrecarga: No sobrecargue las tomas de corriente de la pared, ni los cables de prolongación o podrían producirse descargas eléctricas.

Entrada de objetos y líquidos: Nunca introduzca objetos de ningún tipo por las aberturas de este producto, ya que estos pueden tocar puntos de voltaje peligrosos o causar cortocircuitos que ocasionen incendios o choques eléctricos. Trate de no derramar nunca ningún tipo de líquido sobre el aparato.

Reparaciones y mantenimiento: No trate de reparar este producto por sí mismo. Si abre o quita las tapas, se expone a una fuerte tensión eléctrica y a otros peligros. Para cualquier reparación o medida de mantenimiento recurra a personal cualificado.

Calor: Este producto debe mantenerse lejos de las fuentes de calor como los radiadores, las salidas de aire caliente, las estufas y otros electrodomésticos (incluso los amplificadores) que puedan producir calor.

Periodos de inactividad: Debe desenchufarse el cable de alimentación cuando no se vaya a emplear el producto durante mucho tiempo.

Problemas que exigen reparación: Cuando se produzca alguna de las situaciones siguientes, el producto debe ser reparado por personal cualificado:

- El cable de alimentación o el enchufe están averiados; o
- Han caído objetos o líquidos dentro del aparato; o
- El producto ha estado en contacto con la lluvia; o
- El aparato no funciona normalmente o muestra unos resultados distintos; o
- El producto se ha caído o se ha dañado la caja.
- El producto no funciona normalmente a pesar de que siguen las instrucciones de operación.



El símbolo con un rayo con punta de flecha dentro de un triángulo equilátero sirve para avisar al usuario que hay "voltaje peligroso" no aislado en la caja del producto que puede ser lo suficientemente potente como para entrañar riesgo de descarga eléctrica para las personas.



El signo de exclamación dentro de un triángulo equilátero es para informar al usuario que en la documentación adjunta al aparato hay importantes instrucciones sobre funcionamiento y mantenimiento (servicio).

INTRODUCCIÓN

Felicitaciones por haber comprado altavoces de Energy! Nuestra tecnología exclusiva y la excelente calidad de fabricación le permitirán disfrutar durante muchos años de la reproducción musical más natural y precisa. Los consejos que le brindamos en este manual le ayudarán a alcanzar y a mantener el máximo rendimiento de sus altavoces, y le procurarán gran satisfacción cuando escuche su equipo.

Le rogamos que lea atentamente las instrucciones que se indican en este manual para que su sistema quede bien instalado y funcionando correctamente.

PERIODO INICIAL

Le aconsejamos encarecidamente que no trate de utilizar todas las posibilidades de los altavoces ENERGY® y que no experimente las formas de colocación y de escucha críticas hasta que no los conozca bien. Este proceso debe durar aproximadamente 50 horas. Este proceso se hace fácilmente poniendo su reproductor de disco compacto en el modo de repetición, tocando al mismo tiempo un disco con una gama dinámica a niveles de escucha normales.

INFORMACIÓN SOBRE LA COMPAÑÍA

Los altavoces Energy® son el resultado de una amplia investigación en reproducción sonora de precisión y constituyen lo más avanzado en altavoces por su diseño y rendimiento. El empleo de los mejores componentes y materiales para la caja, así como un sofisticado proceso de fabricación y control de calidad, garantizan muchos años de funcionamiento excepcional y de placer de escucha.

CUIDADO DE LA CAJA

Las cajas de estos altavoces se han construido y acabado con gran cuidado. Use periódicamente un paño suave y seco para quitar el polvo o las marcas de dedos. No utilice toallas de papel ni otros materiales abrasivos que puedan dañar el acabado.

NOTA: Le rogamos que conserve la caja y el material de embalaje de estos altavoces ENERGY® para protegerlos en caso de mudanza o de que deba enviarlos a un centro de servicio. Los productos que sean recibidos con daños por un centro de servicio y que no hayan sido enviados por el usuario final en su embalaje original, serán reparados, restaurados y embalados adecuadamente para enviarlos de vuelta pero con cargo al usuario final.

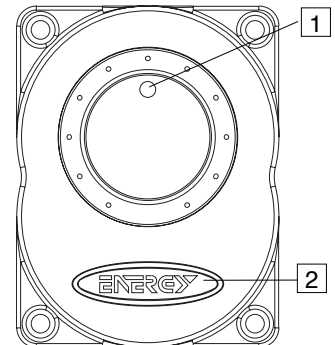
COLOCACIÓN DEL BAFLE PARA BAJOS

Es esencial que escoja correctamente la ubicación de su nuevo baffle ENERGY® para alcanzar un buen desempeño. Los lugares más habituales son los siguientes: la esquina de la habitación (que puede producir una respuesta retumbante o de frecuencia exageradamente baja), colocación a lo largo de un muro pero fuera de la esquina (reproducción moderada de los bajos pero más fidelidad que en la colocación en esquina), o al lado de un altavoz frontal (lo que crea una mejor mezcla con el altavoz frontal, pero sacrifica el volumen general). Le invitamos a que experimente con la colocación del baffle, ya que cambios leves de ubicación pueden mejorar notablemente la reproducción del sonido. Para probar mejor la ubicación del baffle, instálelo transitoriamente en la posición principal de escucha, y mientras toca una pieza musical familiar, camine alrededor de la habitación hasta que encuentre el mejor lugar. Es posible que ahí deba colocarse el baffle.

TERMINOLOGÍA Y CONTROLES

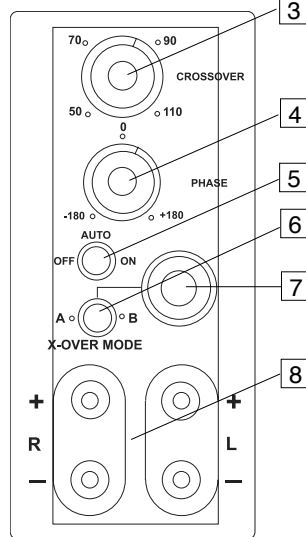
Panel frontal

- Control de volumen del altavoz— Esta perilla se puede ajustar para controlar el nivel de salida de su baffle. El nivel escogido deberá permitir mezclar la salida del baffle con la del resto de su equipo de sonido.
- Indicador de estado— El logo ENERGY® que hay en el panel frontal se encenderá de color azul cuando el baffle esté funcionando. Si la unidad está en modo Auto y no está recibiendo señal, la luz permanecerá apagada.



Panel trasero

- Control de crossover – Este control permite ajustar el filtro paso bajo. Se puede realizar un número infinito de ajustes desde 50Hz hasta 110Hz. Esto va a determinar la frecuencia más alta a la que el altavoz podrá reproducir el sonido.
- Control de fase – Este mando permite un número infinito de ajustes de la fase del bafle, en relación con los altavoces de su equipo, desde -180 hasta +180 grados.
- Modo de alimentación – Este interruptor puede ponerse ya sea en On, Off o Auto. Si el interruptor está en la posición Off, el bafle no se encenderá. Si el interruptor está en la posición On, permanecerá constantemente encendido. Si el interruptor está en posición Auto, en presencia de señal el bafle se encenderá y se apagará automáticamente varios minutos después de que haya desaparecido la señal.
- Modo crossover – Este interruptor permite seleccionar ya sea la activación (A) o la desactivación (B) del crossover. (Vea la sección de conexiones para sugerencias sobre el modo más adecuado para su instalación.)
- Sub In – Esta entrada es una entrada mono de tipo RCA.
- Entrada de alto nivel – Estos conectores son bornes de tipo altavoz de cinco vías. Las entradas de alto nivel están diseñadas para usarse en receptores o amplificadores que no comprenden ninguna salida de bafle de tipo RCA. Si su receptor posee este tipo de salida, estas entradas de nivel de altavoz no deberán usarse.



- que las polaridades sean las mismas, se deben conectar los cables positivos y negativos a los terminales positivos y negativos correspondientes. Si no se hace así se producirá una conexión desfasada y se reducirá gravemente la cantidad de bajos de su sistema.
- Después de la conexión de alto nivel (#8) (alambre de altavoz) entre su receptor y el bafle, verifique que no hay hilachas de metal, ya que esto podría causar un corto circuito y dañar su equipo. Enchufe su bafle ENERGY® en una salida AC. No use la salida de la parte trasera de su receptor.
- Vea los ajustes finales del equipo, más abajo.

NO conecte las conexiones RCA y alto nivel simultáneamente, esto dañará su bafle ENERGY.

AJUSTES FINALES DEL EQUIPO

- Después de haber encendido el interruptor principal y después del rodaje del altavoz, escoja la posición correcta del interruptor de modo de alimentación (#5), ya sea On o Auto según su sistema. Si escoge Auto la unidad permanecerá en modo de auto detección, de manera que si percibe una señal de audio se encenderá sola y luego se apagará después de varios minutos sin señal, en cambio en la posición On el altavoz permanecerá siempre encendido. Si el equipo no se va a usar durante un periodo prolongado, se recomienda desenchufar el bafle de la salida AC.
- Ajuste el control de volumen (#1) del panel frontal de su bafle ENERGY® para que el volumen de su bafle se ajuste al volumen de todo el equipo. Esto permite una transición suave entre las frecuencias altas y bajas de su equipo.
- Ajuste el crossover (#3) en el bafle ENERGY® para que su rango de frecuencias se mezcle bien con el de los altavoces frontales (para usar con todos los ajustes, excepto cuando esté en modo crossover (B)). Poner el crossover demasiado bajo va a crear un "gap" entre la respuesta de frecuencia de los altavoces frontales y la del bafle, y un ajuste demasiado alto va a crear una duplicación de ciertas frecuencias, lo que hará que la música retumbe. Cuando se usen pequeños altavoces satélite, la frecuencia apropiada del crossover deberá ser de 90Hz a 110Hz, para los altavoces para estanterías deberá ser de 70Hz a 90Hz y para los grandes altavoces de piso será de 50Hz a 70Hz.
- Ajuste el control de fase (#4) de modo que el bafle se integre totalmente con el resto de su equipo de sonido. Este control tiene un número infinito de ajustes y es esencial que el bafle opere en fase con el resto del sistema, ya que un bafle desfasado sonará, o bien como si no pudiera reproducir correctamente los bajos o como si estuviera desfasado. Este ajuste será determinado por su posición de escucha, por las características de la habitación y su interacción con su bafle ENERGY®. Un altavoz desfasado significa que el cono del altavoz se mueve hacia dentro cuando debería moverse hacia fuera, como los otros altavoces de su equipo, lo que anula ciertas frecuencias. Ajustando el control de fase, se puede asegurar que todos los altavoces se muevan en la dirección correcta, al mismo tiempo.
- Es posible que las etapas 2,3 y 4 deban repetirse para poner a punto su equipo. Es esencial que haya una mezcla adecuada entre los altavoces y el bafle para que el equipo en su conjunto tenga un buen desempeño y una buena reproducción.

CONEXIÓN DE SU BAFLE ENERGY

CUIDADO: Antes de hacer cualquier conexión el equipo debe estar totalmente desconectado. Hay que cerciorarse de que ningún componente electrónico está conectado a una fuente de corriente. Si no se tiene este cuidado el equipo puede dañarse.

Hay dos métodos mutuamente excluyentes para conectar su bafle a su receptor.

Método 1 – RCA – Para cine doméstico o aplicaciones LFE (efecto de baja frecuencia)

- En la parte de atrás del receptor hay un enchufe de tipo RCA marcado "Subwoofer Out". Conecte un cable RCA desde ese enchufe hasta la entrada RCA "Sub In" (#7) en la parte de atrás del bafle. Se necesita un cable RCA estándar macho a macho.
- Después de hacer la conexión de bajo nivel Sub In (#7), enchufe su bafle ENERGY® en un tomacorrientes AC. No use la salida AC de la parte de atrás de su receptor.
- Escoja el modo crossover (A) o (B) (#6). La posición de interruptor (A), "Crossover Activado" debe usarse cuando conecte su bafle ENERGY® a un receptor sin gestión de bajo o cuando desee controlar manualmente los ajustes del crossover y del volumen (igual que en un equipo de música). La posición de interruptor (B) "Crossover desactivado" debe usarse cuando se conecta a un receptor con gestión de bajos (como en un equipo envolvente de cine casero digital). Esta conexión anula la función de crossover en el bafle ENERGY®, permitiendo que este control sea manejado por el receptor. Además, será necesario ajustar el control de volumen (# 1) del panel frontal.
- Vea los ajustes finales del equipo, más abajo.
- Asegúrese de que los amortiguadores contra las vibraciones que se incluyen están instalados en las entradas de alto nivel de los altavoces, ya que esto impide que las entradas vibren de manera audible.

Método 2 – Nivel de los altavoces – Para reproducción de música

- La otra manera de conectar su bafle a su receptor es con una conexión de alto nivel (#8) (alambre para altavoces), conectando simplemente los alambres de altavoz de las salidas frontales de altavoz izquierda y derecha de su receptor a las entradas izquierda y derecha de la parte de atrás del bafle (#8). Es esencial

GARANTÍA DEL PRODUCTO FUERA DE ESTADOS UNIDOS

En el exterior de Norteamérica la garantía puede ser modificada a fin de que se ajuste a las regulaciones locales. Para conocer con más detalle la GARANTÍA LIMITADA que se aplica en su país, consulte a su distribuidor local.

GARANTÍA PARA ESTADOS UNIDOS Y CANADÁ

Favor de ver la garantía que aparece en la contraportada.

"ENERGY" y el logotipo de "ENERGY" son marcas comerciales de Audio Products International Corp.

WARRANTY

LIMITED WARRANTY POLICY IN THE UNITED STATES AND CANADA

ENERGY® warrants this product to the retail purchaser against any failure resulting from original manufacturing defects in workmanship or materials. The warranty is in effect for a period of: Speaker Section-five (5) years, Subwoofer Section-one (1) year from date of purchase from an authorized **ENERGY**® dealer and is valid only if the original dated bill of sale is presented when service is required.

The warranty does not cover damage caused during shipment, by accident, misuse, abuse, neglect, unauthorized product modification, failure to follow the instructions outlined in the owner's manual, failure to perform routine maintenance, damage resulting from unauthorized repairs or claims based upon misrepresentations of the warranty by the seller.

WARRANTY SERVICE

If you require service for your **ENERGY**® speaker(s) at any time during the warranty period, please contact:

- 1) the dealer from whom you purchased the product(s),
- 2) **ENERGY NATIONAL SERVICE**, 203 Eggert Road, Buffalo, N.Y. 14215
Tel: 716-896-9801 or
- 3) **ENERGY**®, a division of Audio Products International Corp., 3641 McNicoll Avenue, Toronto, Ontario, Canada, M1X 1G5,
Tel: 416-321-1800.
- 4) Additional service centers can be found by checking the **ENERGY**® website: www.energy-speakers.com or, by calling either of the above numbers.

You will be responsible for transporting the speakers in adequate packaging to protect them from damage in transit and for the shipping costs to an authorized **ENERGY**® service center or to **ENERGY**®. If the product is returned for repair to **ENERGY**® in Toronto or Buffalo, the costs of the return shipment to you will be paid by **ENERGY**®, provided the repairs concerned fall within the Limited Warranty. The **ENERGY**® Warranty is limited to repair or replacement of **ENERGY**® products. It does not cover any incidental or consequential damage of any kind. If the provisions in any advertisement, packing cartons or literature differ from those specified in this warranty, the terms of the Limited Warranty prevail.

GARANTIE

GARANTIE AUX ÉTATS-UNIS ET AU CANADA

La société **ENERGY**® garantit cet appareil contre toute défectuosité attribuable aux pièces d'origine et à la main-d'oeuvre. Cette garantie est valide pendant une période de cinq (5) ans (enceinte) et d'un (1) an (extreme graves) à partir de la date d'achat auprès d'un revendeur **ENERGY**® agréé ; la garantie ne sera honorée que sur présentation d'une pièce justificative de la date d'achat.

La garantie ne couvre aucun dommage subi pendant le transport ou imputable à un accident, à une utilisation impropre ou abusive, à la négligence, à une modification non autorisée, à la non-observance des instructions décrites dans le manuel de l'utilisateur ou des directives d'entretien, ni aucun dommage subi par suite de réparations non autorisées ou de réclamations fondées sur une mauvaise interprétation des conditions de la présente garantie par le revendeur.

SERVICE SOUS GARANTIE

Dans l'éventualité où une réparation deviendrait nécessaire pendant la période de couverture de la garantie, communiquez avec :

- 1) le revendeur auprès de qui l'appareil a été acheté,
- 2) **ENERGY National Service**, 203, Eggert Road, Buffalo, N.Y. 14215,
tél. : 716-896-9801 ou
- 3) **ENERGY**®, 3641, avenue McNicoll, Toronto (Ontario), Canada, M1X 1G5, tél. : 416-321-1800.
- 4) Pour connaître l'adresse de tous nos centres de service, consultez le site Web de **ENERGY**® à www.energy-speakers.com ou composez l'un des numéros indiqués plus haut.

Le propriétaire de l'appareil est responsable de son emballage et de tous frais d'expédition à un centre de service **ENERGY**® agréé ou à **ENERGY**®. Si l'appareil est expédié à **ENERGY**® à Toronto ou à Buffalo aux fins de réparation, les frais de réexpédition seront assumés par **ENERGY**® à la condition que les réparations effectuées soient couvertes par la garantie. La garantie est limitée à la réparation ou au remplacement des appareils fabriqués et distribués par **ENERGY**®. Elle ne couvre aucun dommage indirect ou consécutif de quelque nature que ce soit. Si les conditions accompagnant toute publicité, emballage ou documentation divergent de celles de la présente garantie, les conditions de la présente garantie prévaudront.